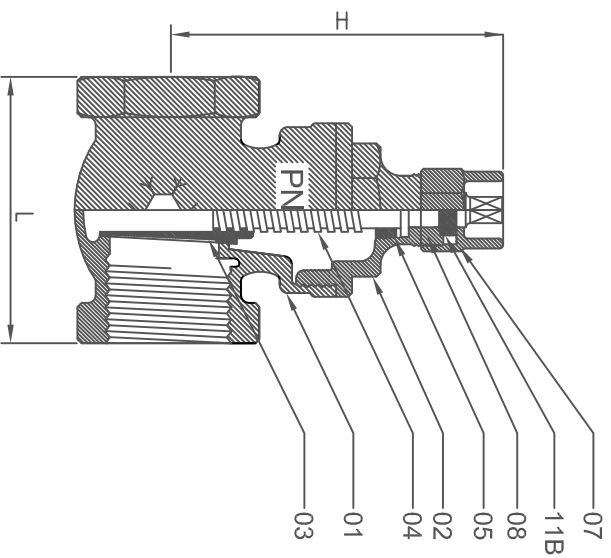


JRW-211

(LOCK SHIELD NUT)
BRONZE GATE VALVE

Note:

1. Non-rising Stem
2. Working Pressure PN20
3. Complies to BS 5154B
4. with Lock Shield Nut



WORKING PRESSURE

(unit : psf)

Working Pressure non Shock	Test Pressure
Saturated Steam cold Water, Oil, Gas	Shell (Water) Seat (Air)
150 300	450 80

DIMENSION

unit

SIZE	15mm	20mm	25mm	32mm	40mm	50mm	65mm
H	64	80	87	100	115	128	170
L	46	51	61	65	68	72	97
Wt.	0.30	0.44	0.59	0.87	1.12	1.64	2.97

PARTS & MATERIAL

01	BODY	BRONZE BS EN CC490K
02	BONNET	BRONZE BS EN CC490K
03	DISC	BRONZE BS EN CC490K
04	STEM	BRASS B16 C36000
05	LOCK NUT	BRASS B16 C36000
07	LOCK SHIELD NUT	BRASS B16 C36000
08	PACKING	PTFE
11B	PACKING GLAND	BRASS B16 C36000

ITEM:

BRONZE GATE VALVE

DRAWING:

JRW-211

JRW VALVE