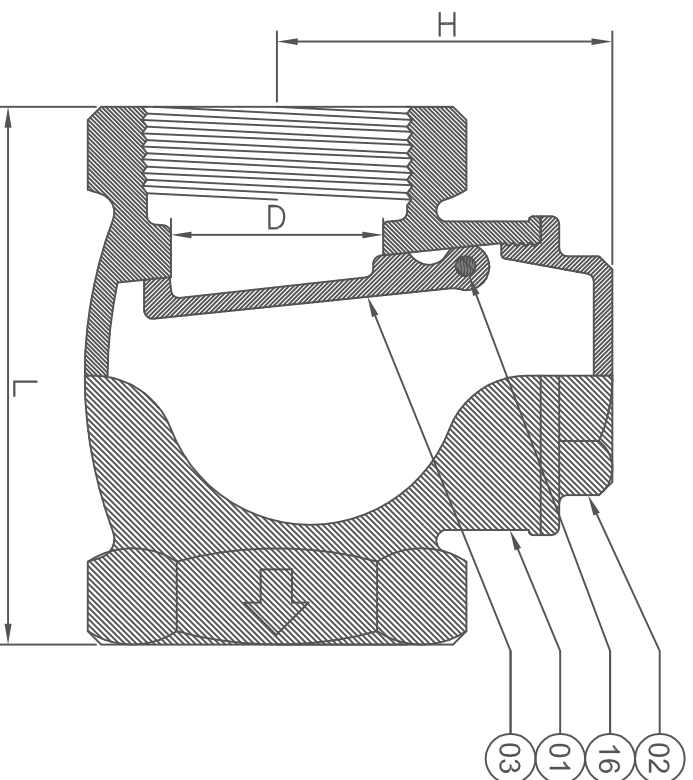


# JRW-401

## BRONZE SWING CHECK VALVE

**Note:**

1. Swing type.
2. Bronze (metal) disc.
3. Working pressure PN20



### WORKING PRESSURE

( unit : psi )

Working Pressure non Shock		Test Pressure			
Saturated Steam	cold Water, Oil, Gas	Shell (Water)		Seat (Water)	
150	300	450	300		

### DIMENSION

SIZE	1/4"	3/8"	1/2"	3/4"	1"	1.1/4"	1.1/2"	2"	2.1/2"	3"	4"	unit
H	39	39	39	45	52	62	67	79	86	97	113	(mm)
L	55	55	55	63	73	81	92	108	137	148	180	(mm)
D	13	13	15	19	24.5	31	37	45	60	75	94	(mm)
WT.	.27	.26	.23	.30	.45	.65	.79	1.17	2.57	3.17	5.23	(kg)

### PARTS & MATERIAL

01	BODY	BRONZE BS EN CC490K
02	BONNET	BRONZE BS EN CC490K
03	DISC	BRONZE BS EN CC490K
16	HINGE PIN	BRASS B16 C36000 2.1/2"-4" SUS 304 (Option)
17	BOLT	BRASS B16 C36000

# JRW VALVE

ITEM:

BRONZE SWING CHECK

DRAWING:

JRW-401