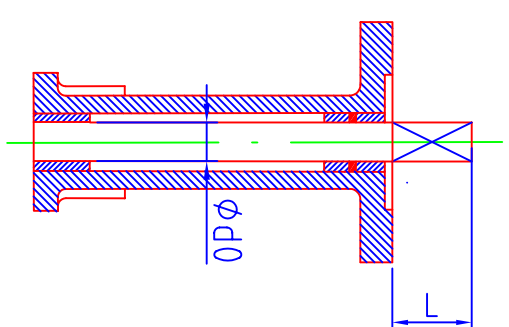


TOP FLANGE
ISO5211



NO.	PARTS NAME	MATERIAL	QTY
1	BODY	GGG40	1
2	DISC	SS316	1
3	PIN	STAINLESS STEEL	1
4	SEAT	EPDM	1
5	STEM	SS304	1
6	BUSHING	P.T.F.E.	4
7	O-RING	EPDM	1
8	GEAR	Cast Iron	1

STANDARD	TEST PRESSURE	SHELL	SEAL
	HYDROSTATIC AIR	24 kg/cm ²	17.6 kg/cm ²
	DESIGN CODE	API609	
	INSPECTION & TEST	API598	
	END STANDARD	DIN PN16	
	FACE TO FACE	API609	

TITLE :LUG GEAR OPERATED BUTTERFLY VALVE

APPROVED	DWG NO.	REV
----------	---------	-----

CHECKED		
---------	--	--

DRAWN		
-------	--	--

DESIGNED	SCALE	UNIT	mm
----------	-------	------	----

SIGNATURE	
-----------	--

14" SIZE	A	B	C	D	d0	G	E	F	A1	B1	phi	L	K	F10	22x22	BxB
	368	267	76.5	333.3	31.6	83	81	227	81	80	300	4.5	14.0	F10	22x22	