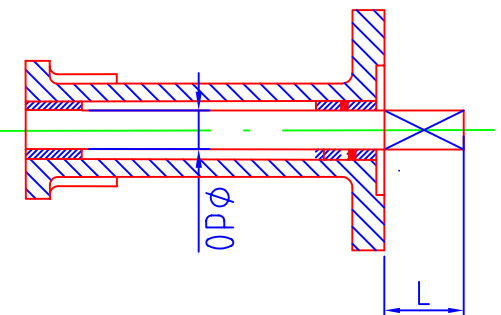


TOP FLANGE
ISO5211



NO.	PARTS NAME	MATERIAL	QTY
1	BODY	GGG40	1
2	DISC	SS316	1
3	PIN	STAINLESS STEEL	1
4	SEAT	EPDM	1
5	STEM	SS304	1
6	BUSHING	P.T.F.E.	4
7	O-RING	EPDM	1
8	GEAR	Cast Iron	1

TEST PRESSURE	SHELL	SEAL
HYDROSTATIC	24 kg/cm ²	17.6 kg/cm ²
AIR		

STAND-ARD	DESIGN CODE	AP1609
	INSPECTION & TEST	AP1598
	END STANDARD	DIN PN16
	FACE TO FACE	AP1609

TITLE :LUG GEAR OPERATED BUTTERFLY VALVE

APPROVED	DWG NO.	REV
CHECKED		

DRAWN	SCALE	UNIT	REV
DESIGNED			

SIGNATURE	UNIT	REV

SIZE	A	B	C	D	d0	G	E	F	A1	B1	B1	L	K	ISO5211	BxB	phi E
8"	238	175	61.6	205.11	22.1	86	75	250	75	63	300	45	125	F10	17x17	102
10"	270	203	67.2	255.20	28.45	86	75	250	75	63	300	45	125	F10	22x22	102
12"	315	242	76.9	306.20	31.6	83	81	227	81	80	300	45	125	F10	22x22	102