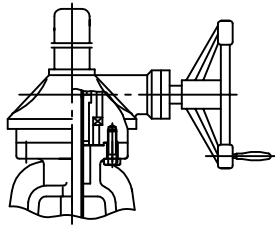
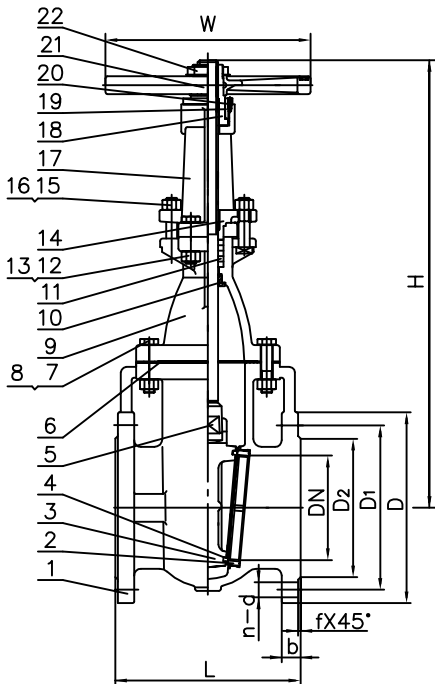


# JRW

## CAST IRON GATE VALVE (RISING STEM) BS5150 PN16



It can be operated with bevel gear according to customer's requirement.

- Design and Manufacture Conform to BS5150
- Flange dimensions Conform to BS4504 PN16
- Face to Face dimensions Conform to BS5150 PN16
- Testing Conform to BS6755

### MATERIALS

NO.	PART NAME	MATERIAL(C.I.)	MATERIAL(D.I.)
1	BODY	ASTM A126 B	ASTM A536
2	SEAT RING	ASTM B62 or 13Cr	ASTM B62 or 13Cr
3	WEDGE	ASTM A126 B	ASTM A536
4	WEDGE RING	ASTM B62 or 13Cr	ASTM B62 or 13Cr
5	STEM	ASTM B16 or 13Cr	ASTM B16 or 13Cr
6	BONNET GASKET	GRAPHITE+STEEL	GRAPHITE+STEEL
7	BONNET BOLT	ASTM A307	ASTM A307
8	BONNET NUT	CARBON STEEL	CARBON STEEL
9	BONNET	ASTM A126 B	ASTM A536
10	BACK SEAT BUSHING	ASTM B16 or 13Cr	ASTM B16 or 13Cr
11	PACKING	GRAPHITE	GRAPHITE
12	YOKE BOLT	CARBON STEEL	CARBON STEEL
13	YOKE NUT	CARBON STEEL	CARBON STEEL
14	PACKING GLAND	ASTM A536	ASTM A536
15	PACKING GLAND BOLT	CARBON STEEL	CARBON STEEL
16	PACKING GLAND NUT	CARBON STEEL	CARBON STEEL
17	YOKE	ASTM A126 B	ASTM A536
18	STEM NUT	Mn-BRASS	Mn-BRASS
19	STEM NUT BUSHING	ASTN A126 B	ASTN A126 B
20	SCREW	CARBON STEEL	CARBON STEEL
21	HANDWHEEL	ASTN A126 B	ASTN A126 B
22	HANDWHEEL NUT	ASTM A536	ASTM A536

### DIMENSIONS (mm)

DN	L	D	D <sub>1</sub>	D <sub>2</sub>	b	n-d	f	H	W	Kg
50	178	165	125	99	20	4-19	3	330	180	22
65	190	185	145	118	20	4-19	3	342	180	27
80	203	200	160	132	22	8-19	3	391	200	32
100	229	220	180	156	24	8-19	3	487	250	49
125	254	250	210	184	26	8-19	3	517	280	69
150	267	285	240	211	26	8-23	3	652	300	91
200	292	340	295	266	30	12-23	3	796	360	141
250	330	405	355	319	32	12-28	3	962	400	218
300	356	460	410	370	32	12-28	4	1083	450	311
350	381	520	470	429	36	16-28	4	1150	505	452
400	406	580	525	480	38	16-31	4	1275	556	574
450	432	640	585	548	40	20-31	4	1350	610	737
500	457	715	650	609	42	20-34	4	1500	610	993
600	508	840	770	720	48	20-37	5	1700	700	1346