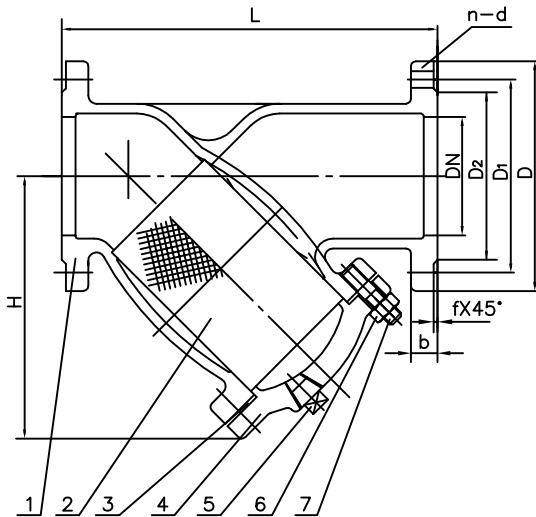


- Flange dimensions Conform to BS4504 PN16
- Testing Conform to BS6755
- The mesh of wire screen or the hole dimension of the perforated screen can be as per the customer's requirement.



MATERIALS

NO	PART NAME	MATERIAL(C.I.)	MATERIAL(D.I.)
1	BODY	ASTM 126 B	ASTM A536
2	SCREEN	304	304
3	GASKET	GRAPHITE	GRAPHITE
4	COVER	ASTM 126 B	ASTM A536
5	PLUG	MALLEABLE CAST IRON	MALLEABLE CAST IRON
6	NUT	CARBON STEEL	CARBON STEEL
7	STUD	CARBON STEEL	CARBON STEEL

DIMENSIONS (mm)

DN	L	D	D ₁	D ₂	b	n-d	f	H	Kg
50	220	165	125	99	20	4-19	3	182	15
65	270	185	145	118	20	4-19	3	188	18
80	290	200	160	132	22	8-19	3	195	21
100	350	220	180	156	24	8-19	3	246	31
125	390	250	210	184	26	8-19	3	302	50
150	440	285	240	211	26	8-23	3	320	68
200	540	340	295	266	30	12-23	3	397	102
250	660	405	355	319	32	12-28	3	483	184
300	720	460	410	370	32	12-28	4	560	280
350	949	520	470	429	36	16-28	4	689	421
400	1079	580	525	480	38	16-31	4	789	602
450	1150	640	585	548	40	20-31	4	835	732
500	975	715	650	609	42	20-34	4	922	930
600	1219	840	770	720	48	20-37	5	1020	1030