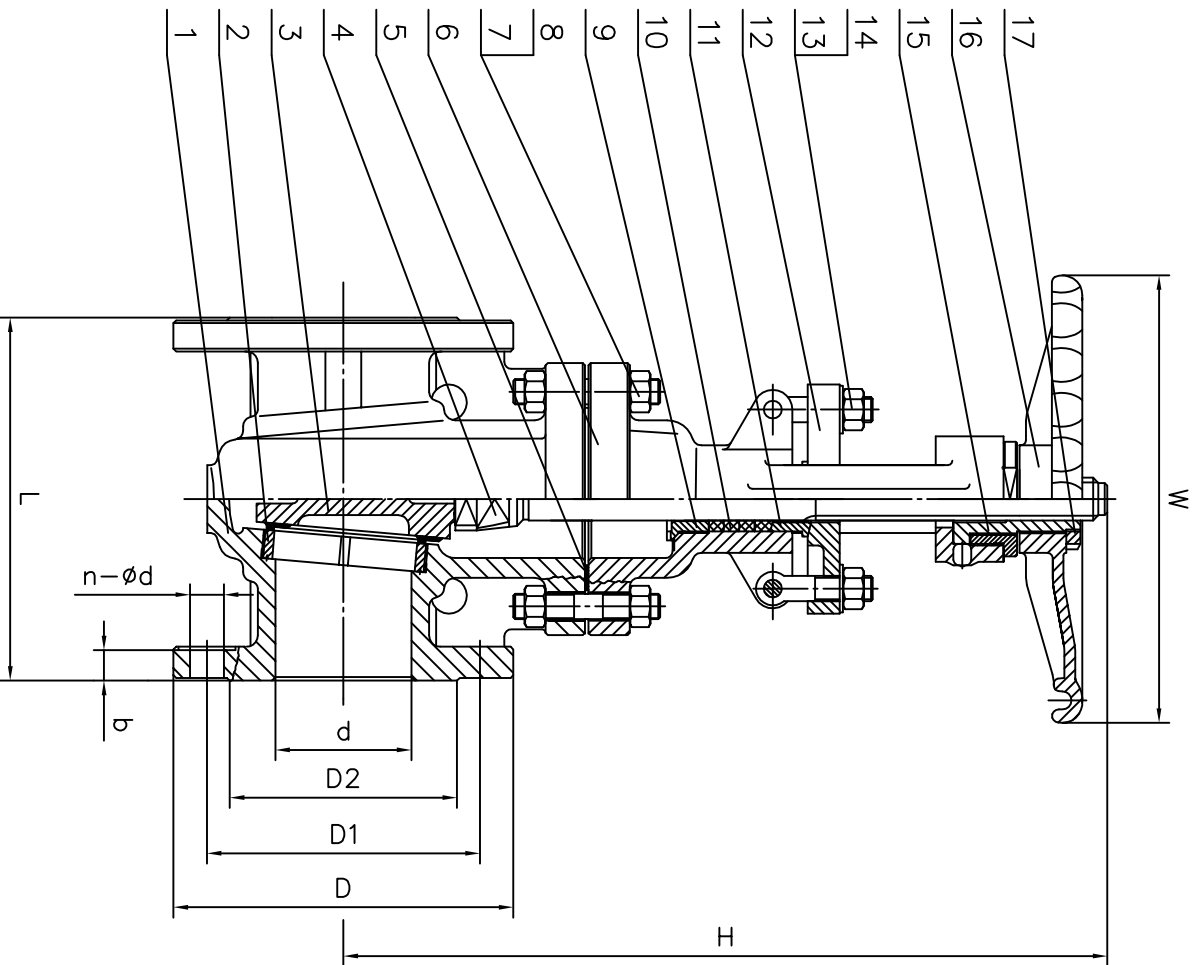


Nominal Diameter	Main Dimension ?mm?class150									
	Inch	mm	d	D	D1	D2	b	n-ød	L	Hagen
2"	50	51	152	120.7	92	16	4-ø19	178	406	200
2 1/2"	65	64	178	139.7	105	18	4-ø19	190	449	200
3"	80	76	190	152.4	127	19	4-ø19	203	503	250
4"	100	102	229	190.5	157	24	8-ø19	229	598	250
5"	125	127	254	215.9	186	24	8-ø22	254	658	300
6"	150	152	279	241.3	216	26	8-ø22	267	780	300
8"	200	203	343	298.5	270	29	8-ø22	292	955	350



17	H.W.Lock Nut	ANSI 1020	
16	Hand Wheel	Duction Iron	
15	Stem Nut	ZCuAl10Fe3	
14	Gland Nut	ASTM A194 2H	
13	Gland Eyebolt	ASTM A193 B7	
12	Gland Flange	ASTM A216 WCB	
11	Gland	ASTM A182 F6a	
10	Stem Packing	Graphite	
9	Backseat bushing	ASTM A182 F6a	
8	Bonnet Nut	ASTM A194 2H	
7	Bonnet bolt	ASTM A193 B7	
6	Bonnet	ASTM A216 WCB	
5	Gasket	Solid metal serrated gasket	
4	Stem	ASTM A182 F6a	
3	Wedge	A216 WCB+13Cr	
2	Seat Ring	ASTM A105+13Cr	
1	Body	ASTM A216 WCB	
NO	PART NAME	MATERIAL	REMARKS

GATE VALVE CLASS150

Design and Manufacture	API 600	
Face to Face Dimensions	ANSI B16.10	
Flange Ends Dimensions	ANSI B16.5	
	MSS SP44	
Pressure Test	API STD.598	
JRW Valve Division	DATE	May/06/2006