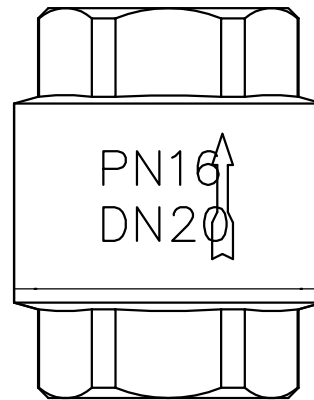
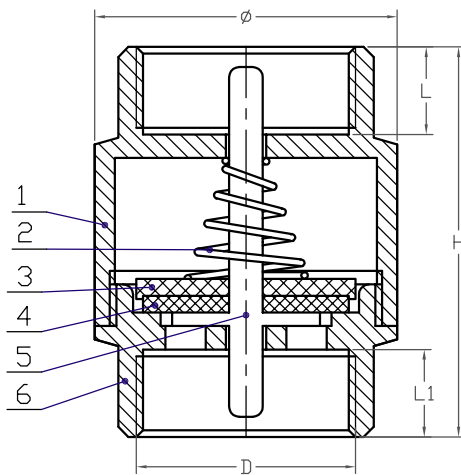


Ø(mm)	D	L	L1	H	DN	PN	Weight(g)
33	BSPT 1/2"	12.5	12	45	15	16	120
40	BSPT 3/4"	14	14	49	20	16	180
45.5	BSPT 1"	14.5	12.5	56.5	25	16	240
57.5	BSPT 1 1/4"	17.5	16	60	32	16	380
64.5	BSPT 1 1/2"	18	17	70.5	40	16	520
80	BSPT 2"	20	17.5	75.5	50	16	760



6	Bonnet	Brass	1
5	Stopcock	ABS	1
4	Washer	NBR	1
3	Washer	ABS	1
2	Spring	Stainless steel	1
1	Body	Brass	1
NO.	Description	Material	Qty.

				<b>Art.3550</b>	JRW VALVE DIVISION
					Check valve with spring
				2006.12.16	<b>33350*****</b>