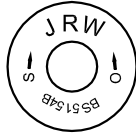


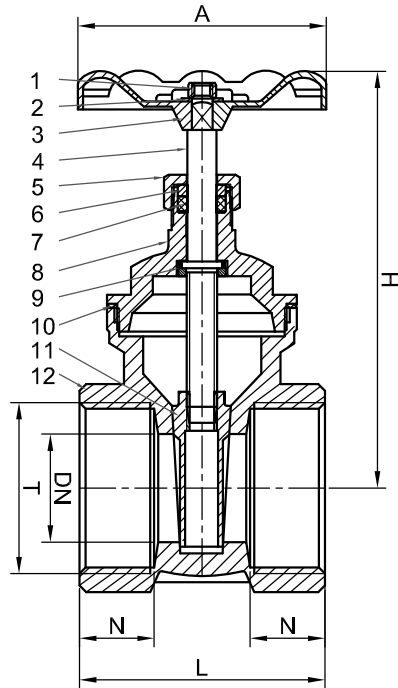
Name plate




Body Mark

One side: 1/2
200
WOG

Another side: No



NO.	PART	MARWEIAL	SIZE	L	H	N	DN	A	T	Weight(g)
1	Wheel Nut	Steel								
2	Name Plate	Aluminum								
3	Handwheel	Cast Iron								
4	Stem	Brass	1/2"	40	68	11.5	Ø13	Ø54	BSPT-1/2"	225
5	Packing Nut	Brass	3/4"	43	74	12.5	Ø15.5	Ø54	BSPT-3/4"	280
6	Gland	Brass	1"	50	85	14.5	Ø19.5	Ø59	BSPT-1"	410
7	Packing	Teflon	1 1/4"	52	99	15	Ø25.5	Ø73	BSPT-1 1/4"	590
8	Bonnet	Brass	1 1/2"	55	110	15.5	Ø31.5	Ø73	BSPT-1 1/2"	735
9	Lock Nut	Brass	2"	65	133	17.5	Ø43.5	Ø79	BSPT-2"	1250
10	Gasket	Teflon	2 1/2"	82.5	173	22	Ø60	Ø96	BSPT-2 1/2"	2350
11	Wedge Disc	Brass	3"	95.5	196	27	Ø69	Ø108	BSPT-3"	3350
12	Body	Brass								

					TYPE			 JRW VALVE DIVISION		
					<h1>ART.5020</h1>					
Mark	Times	Modification No	Signature	Date				TITLE		
Drawing by					G.W	N.W	Scale	BRASS GATE VALVE		
Checked by								DWG.NO		
Approved by					DIMENSION IN: MILLIMETRE					